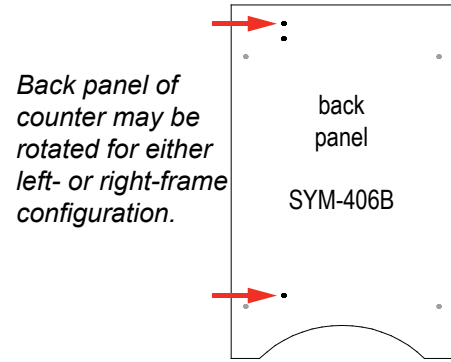


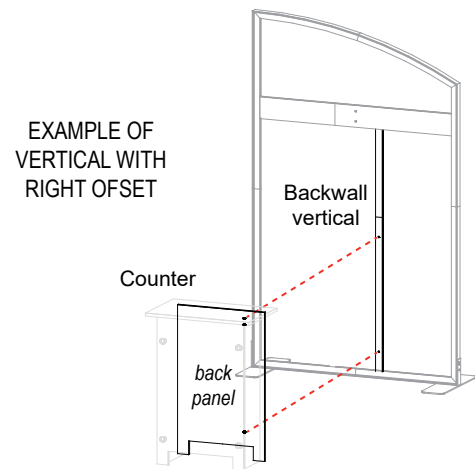
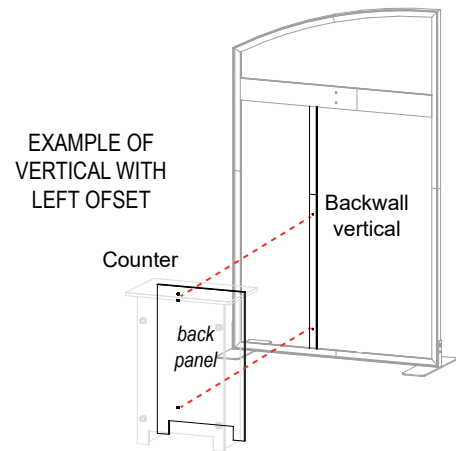
Back Panel Hole Placement

Holes on back panel of Counter are off-center to attach to backwall vertical.



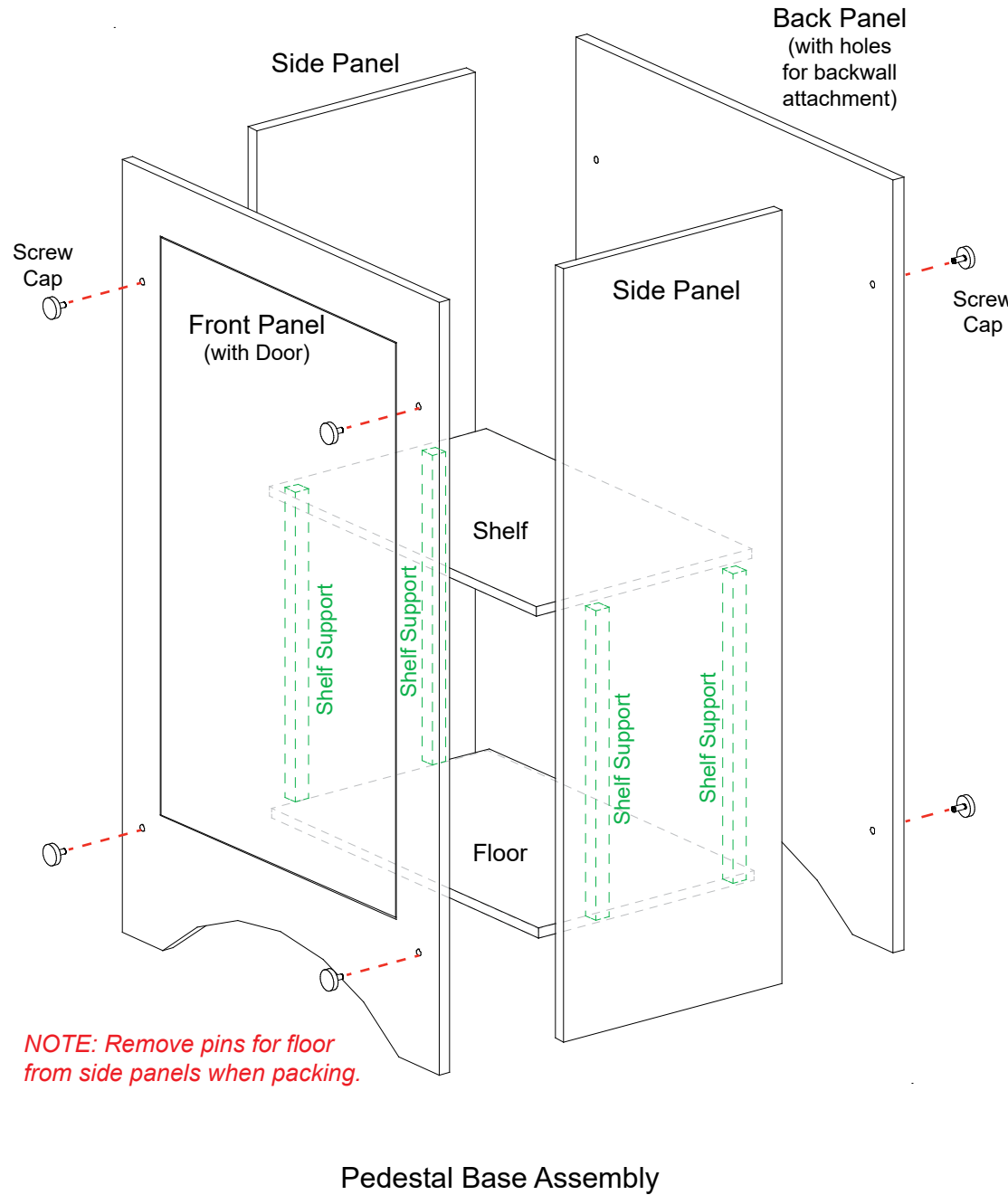
When assembling counter, align holes of back panel to vertical extrusion of backwall frame.

Counter should be *centered* on backwall frame when installed.

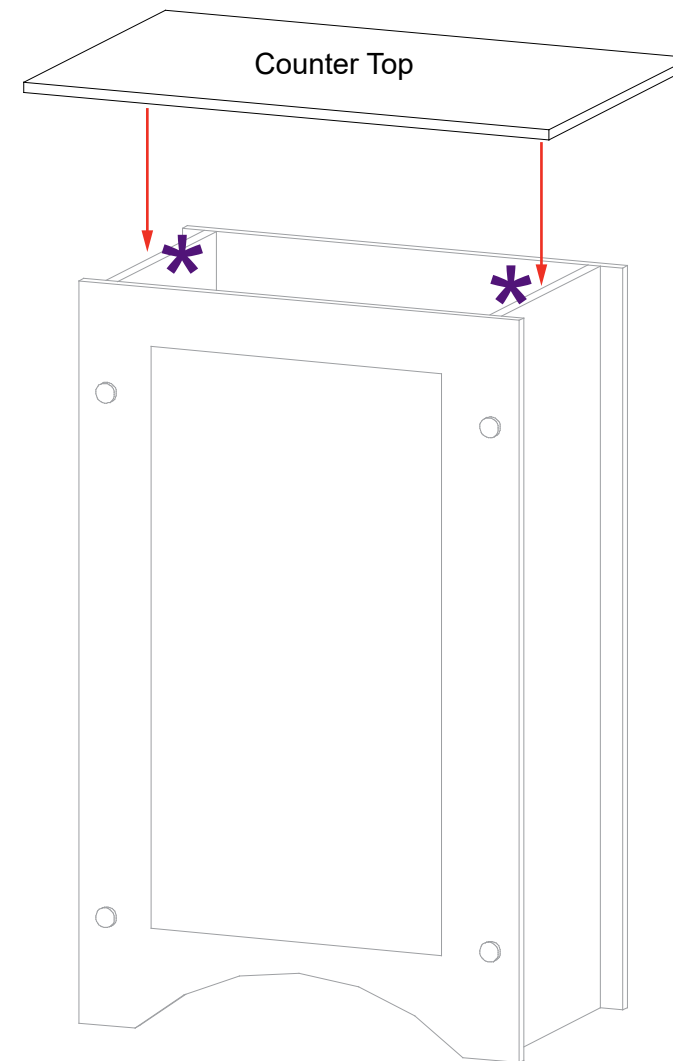


Steps:

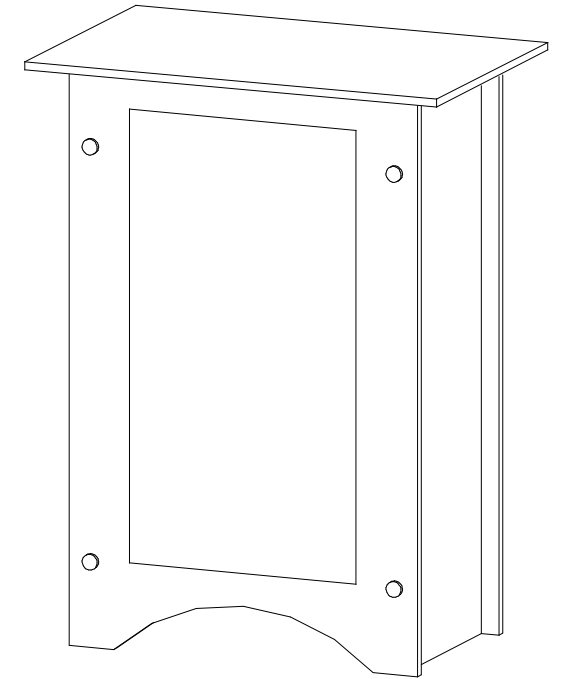
- 1) Use screw caps to secure side panels to front & back panels. Ensure holes of back panel are correctly aligned for backwall attachment.
- 2) Connect **shelf supports** with Velcro inside of panels, then place shelf on top of supports.
- 3) Attach Counter Top to assembled pedestal base. See **Counter Top Attachment** detail.



Pedestal Base Assembly

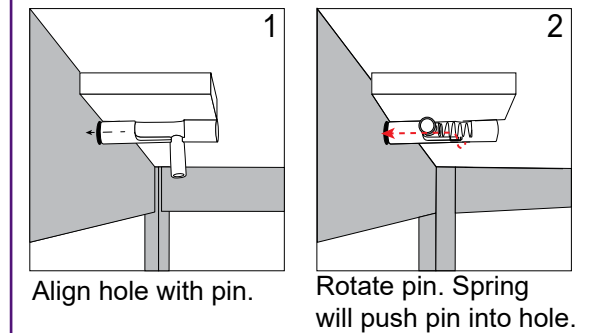


Pedestal Top Attachment

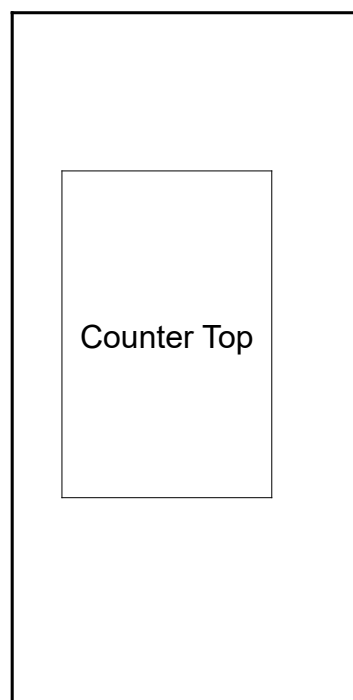


When assembled
SYM-406B Backwall Counter

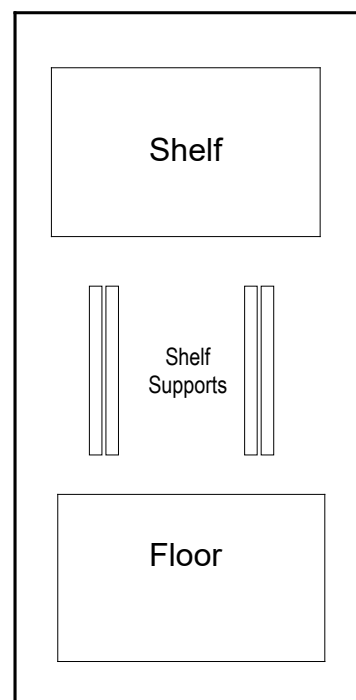
*** Counter Top Attachment**



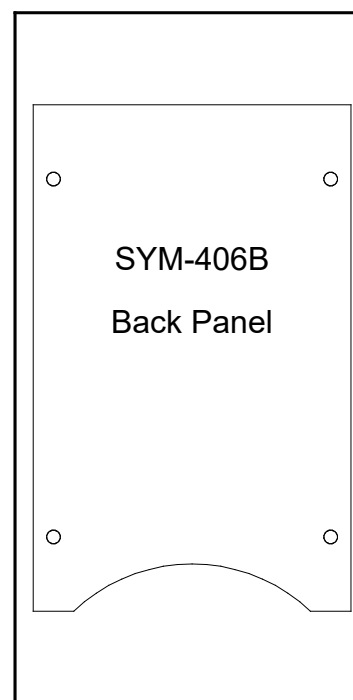
Top View of Each Level



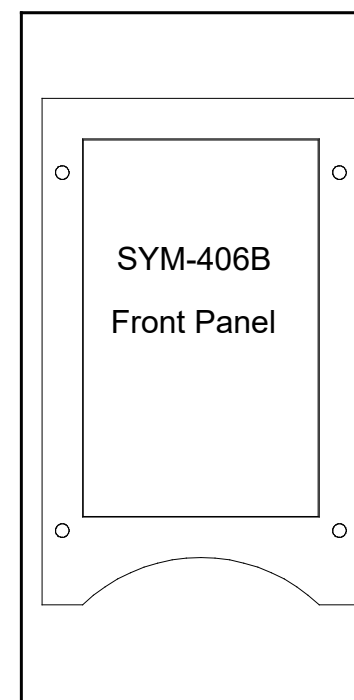
Level 1
(Bottom level)



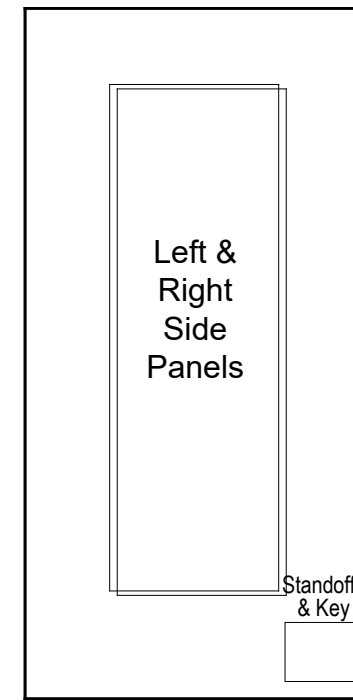
Level 2



Level 3



Level 4



Level 5