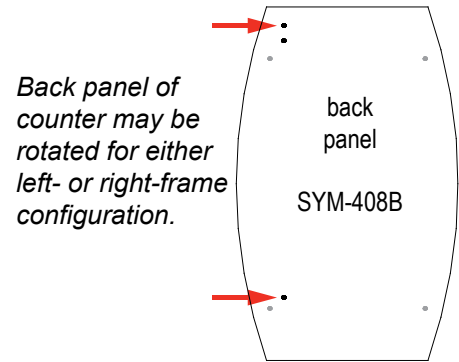


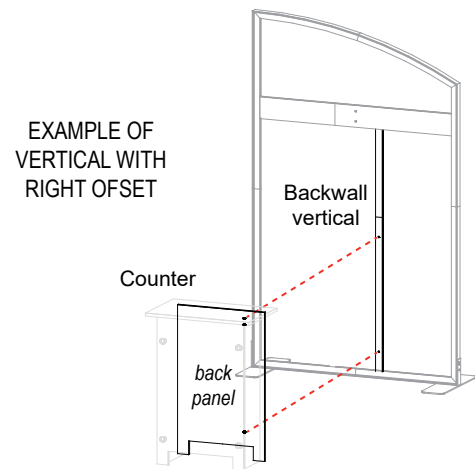
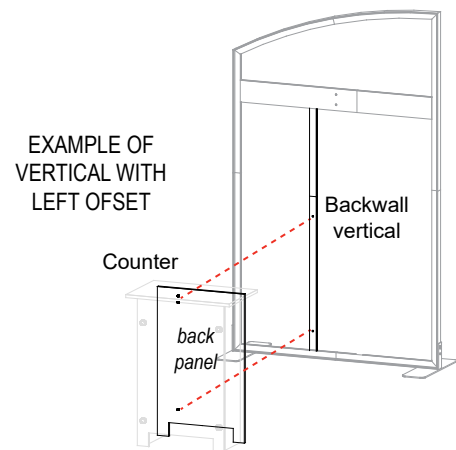
**Back Panel Hole Placement**

Holes on back panel of Counter are off-center to attach to backwall vertical.



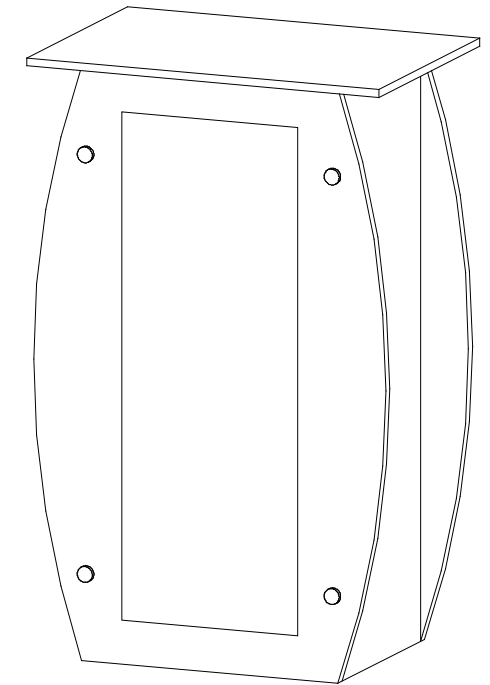
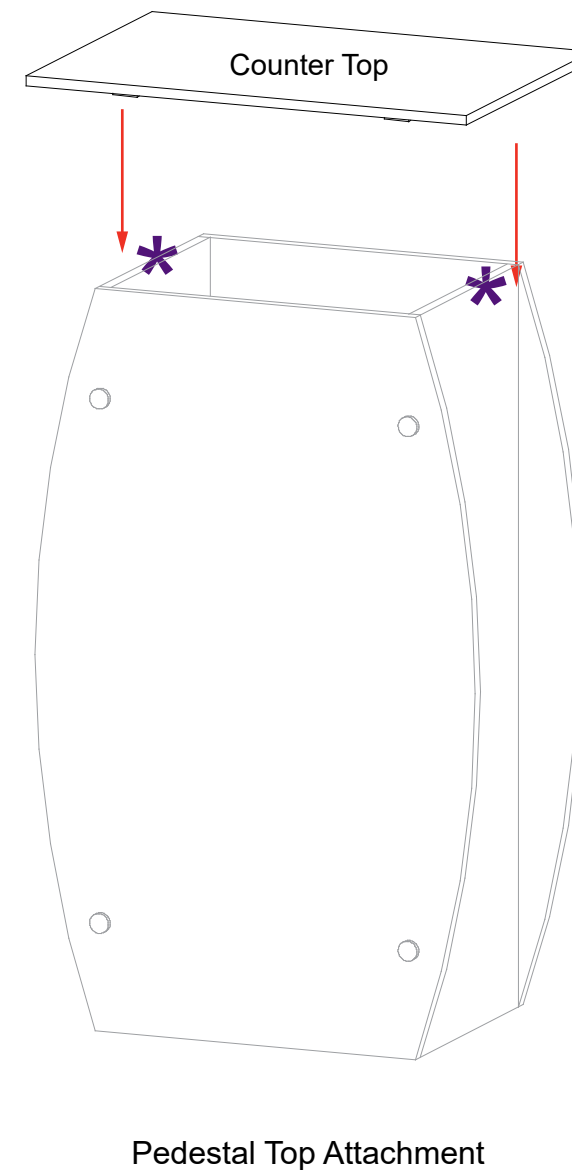
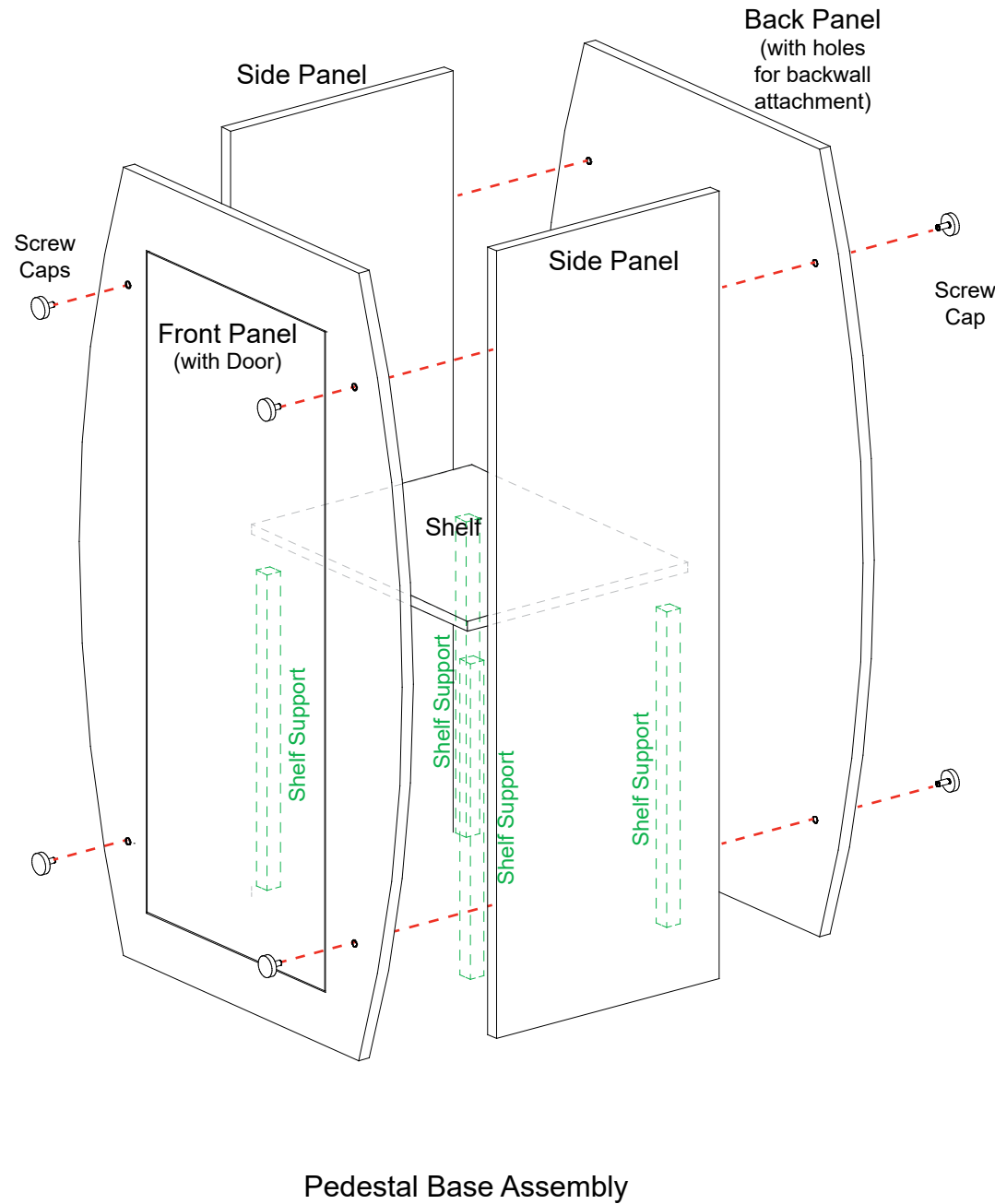
When assembling counter, align holes of back panel to vertical extrusion of backwall frame.

Counter should be *centered* on backwall frame when installed.

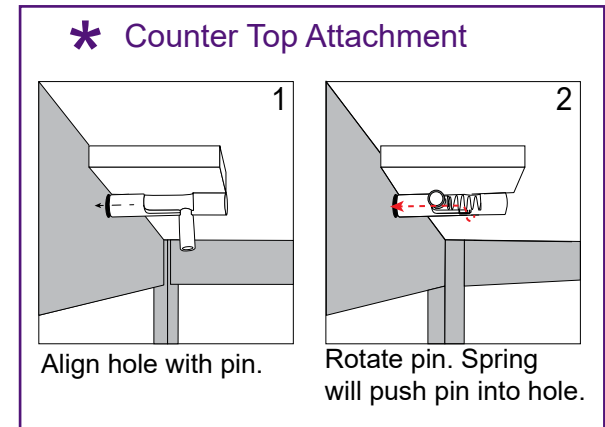


**Steps:**

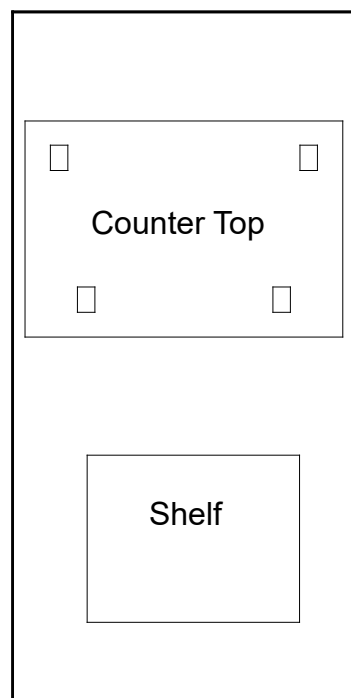
- 1) Use screw caps to secure side panels to front & back panels. Ensure holes of back panel are correctly aligned for backwall attachment.
- 2) Connect shelf supports with Velcro inside of panels, then place shelf on top of supports.
- 3) Attach Counter Top to assembled pedestal base. See Counter Top Attachment detail.



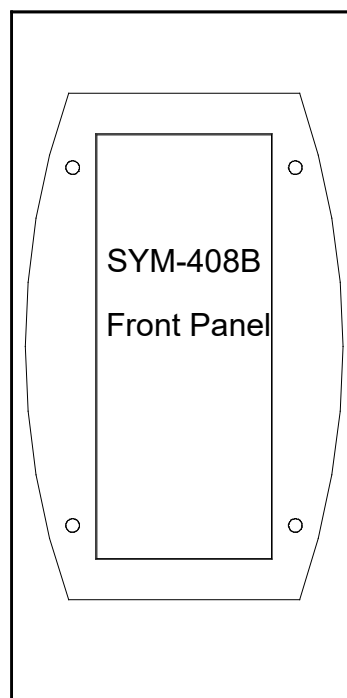
When assembled  
SYM-408B Backwall Counter



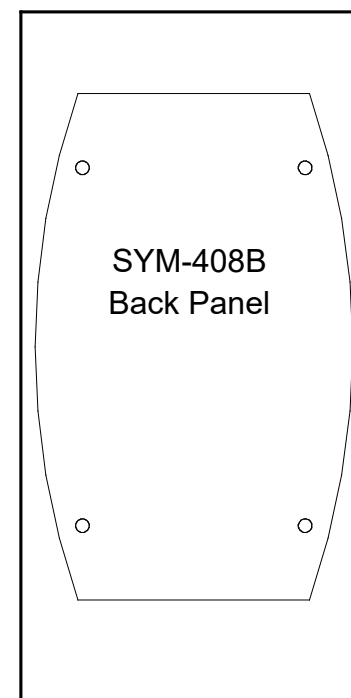
## Top View of Each Level



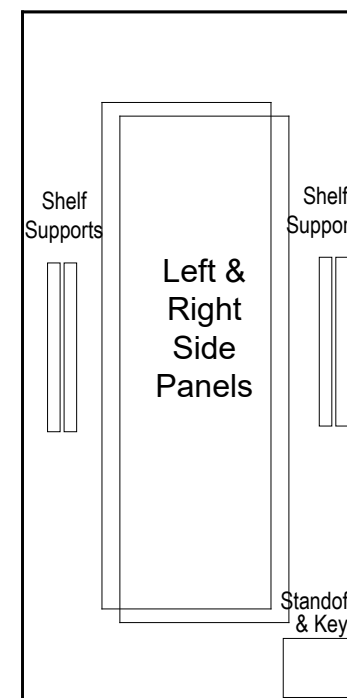
Level 1  
(Bottom level)



Level 2



Level 3



Level 4